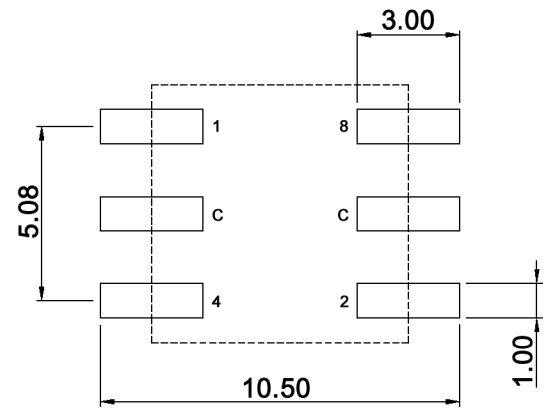


P.C.B. DIMENSION



Hexadecimal

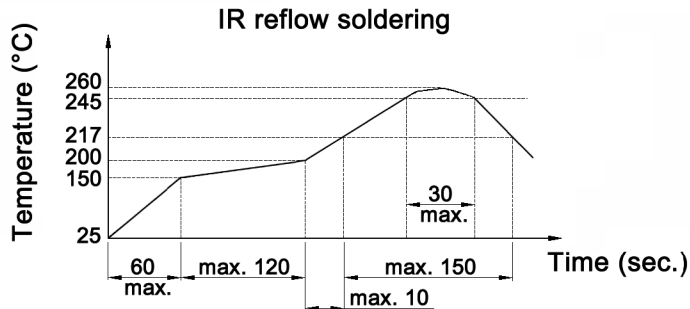
| | Real coded | | | | |
|---|------------|---|---|---|---|
| | C | 1 | 2 | 4 | 8 |
| 0 | ● | | | | |
| 1 | ● | ● | | | |
| 2 | ● | | ● | | |
| 3 | ● | ● | ● | | |
| 4 | ● | | | ● | |
| 5 | ● | ● | | ● | |
| 6 | ● | | ● | ● | |
| 7 | ● | ● | ● | ● | |
| 8 | ● | | | | ● |
| 9 | ● | ● | | | ● |
| A | ● | | ● | | ● |
| B | ● | ● | ● | | ● |
| C | ● | | | ● | ● |
| D | ● | ● | | ● | ● |
| E | ● | | ● | ● | ● |
| F | ● | ● | ● | ● | ● |

Compliance: RohS III (2015/863/EU)

| | | | |
|--|-------|------|-----------------------|
| Tolerances: DIN ISO-2768-1m 0.5-6: ±0.1 mm 6-30: ±0.2 mm | Date | Name | <h1>SMR 16016</h1> |
| | 10/08 | dr | |
| Torque | 05/24 | dr | <h2>30 16 22</h2> |
| Packaging | 02/15 | dr | |
| Packaging | 05/10 | dr | knitter-switch |
| Soldering conditions | 10/09 | dr | |
| Material | 05/09 | dr | Page |
| Modifications | Date | Name | 1/3 |

Specifications:

Contact rating: non-switching: 400mA, 42V
 switching: 100mA, 42V
Contact resistance: 80mOhm max.
Insulation resistance: 100MOhm min. at 250V DC for 1 minute +/-5sec.
Dielectric strength: 250V DC (50Hz/60Hz) for 1 minute
Operating temperature: -50°C to +125°C
Storage temperature: -55°C to +135°C
Mechanical life: 25 000 cycles
Operating force: 2.5 Ncm max.
Material: Cover / spring plate / guide plate: stainless steel
 Contact / terminal: phosphor bronze, min. 0.07µm gold plated
 over min. 0.3µm nickel
 Rotor / base: LCP, UL94V-0
 O-ring: silicone
 Actuator color: gray
Protection: IP67
Soldering conditions:

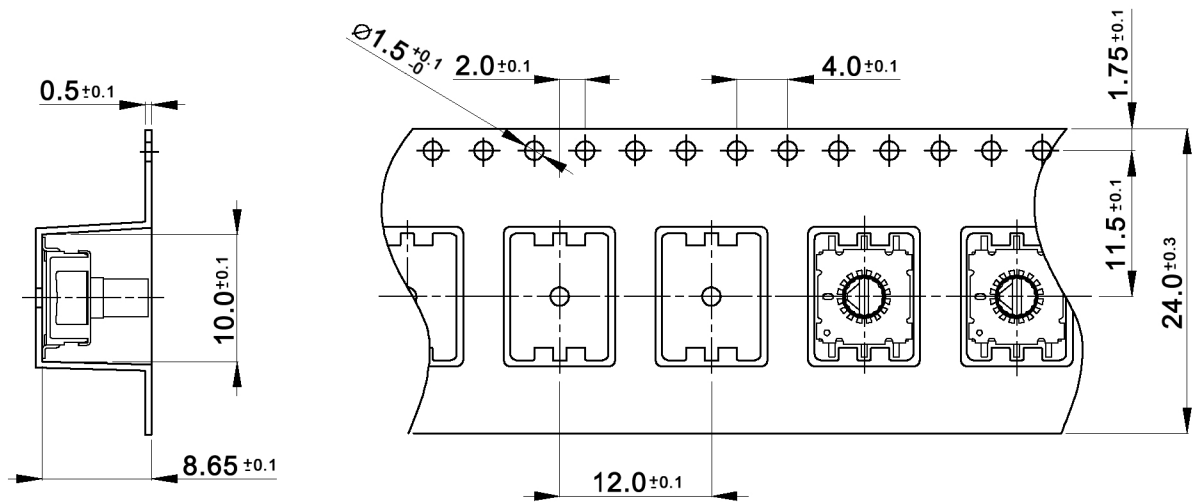
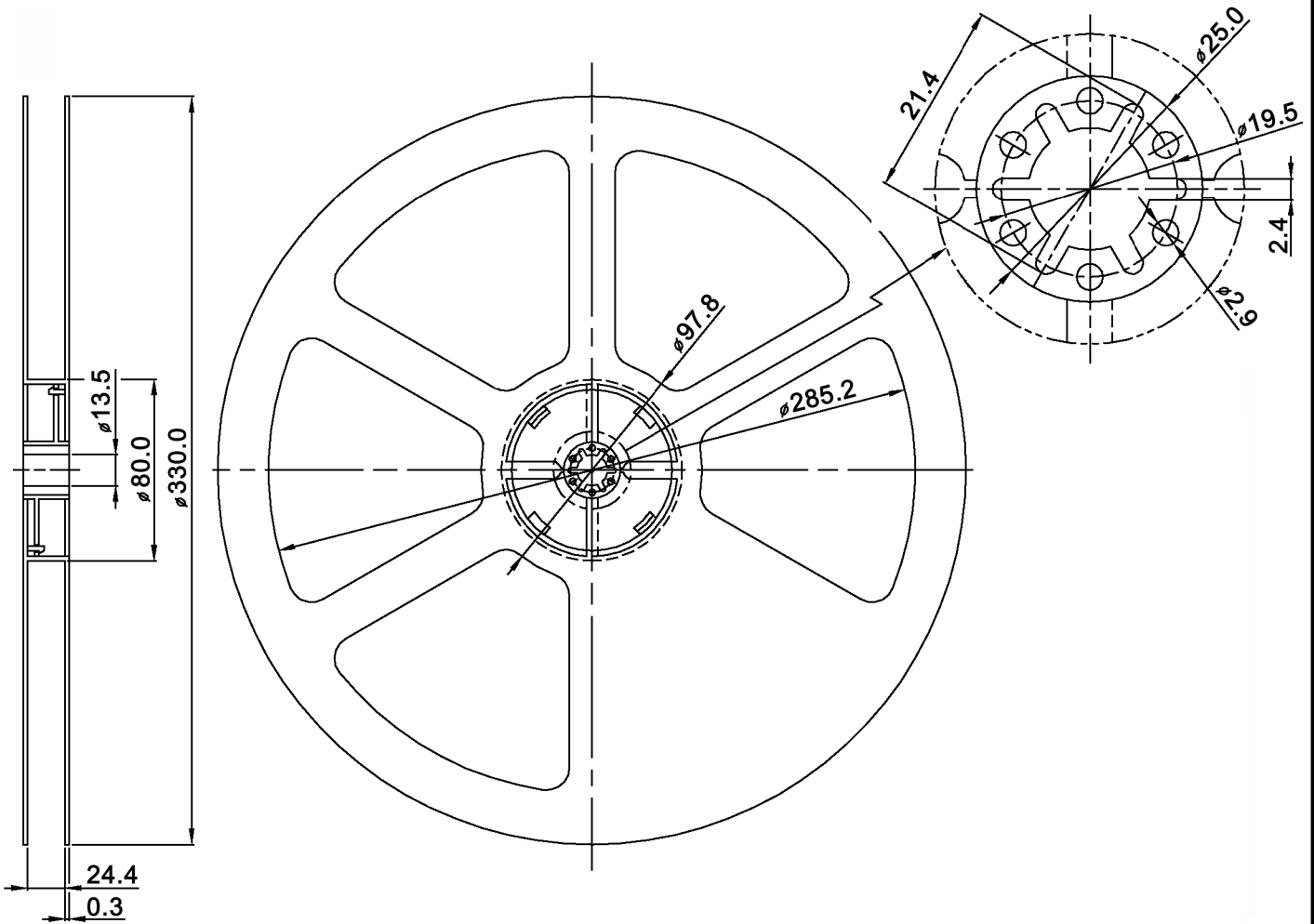


| Type | Packaging unit |
|-------------|-------------------|
| SMR 16016 | 70 pcs. per stick |
| SMR 16016 T | 600 pcs. per reel |

Compliance: RohS III (2015/863/EU)

| | | | | |
|-----------------------------|-------|-------|-----------------------|--------------------|
| Tolerances: DIN ISO-2768-1m | | Date | Name | <h1>SMR 16016</h1> |
| 0.5-6: ±0.1 mm | | 10/08 | dr | |
| 6-30: ±0.2 mm | | | | |
| | | | | |
| Torque | 05/24 | dr | | |
| Packaging | 02/15 | dr | | |
| Packaging | 05/10 | dr | | |
| Soldering conditions | 10/09 | dr | knitter-switch | <h2>30 16 22</h2> |
| Material | 05/09 | dr | | |
| Modifications | Date | Name | | 2/3 |

Packaging:



Compliance: RohS III (2015/863/EU)

| Tolerances: | | | Date | Name | <h1>SMR 16016</h1> |
|----------------------|-------|------|-------|------|--------------------|
| | | | 10/08 | dr | |
| Torque | 05/24 | dr | | | |
| Packaging | 02/15 | dr | | | |
| Packaging | 05/10 | dr | | | <h1>30 16 22</h1> |
| Soldering conditions | 10/09 | dr | | | |
| Material | 05/09 | dr | | | Page |
| Modifications | Date | Name | | | 3/3 |

knitter-switch